



Group Product Lines

2017 rev0

OMB[®] Gate, Globe and Check



	API 602									Bellows					Pressure Seal								
	Forged									Forged - Cast					Forged only								
	SW-NPT			FLANGED & BUTT WELD						FLANGED					FLANGED & BUTT WELD								
	#800	#1500	#2500	#150	#300	#600	#900	#1500	#2500	#150	#300	#600	#900	#1500	#2500	#150	#300	#600	#900	#1500	#2500		
1/2"	Green	Green	Green	Blue	Blue	Blue	Blue	Blue	Blue	Orange	Orange	Orange	Orange	Orange	Orange				Red	Red	Red		
3/4"	Green	Green	Green	Blue	Blue	Blue	Blue	Blue	Blue	Orange	Orange	Orange	Orange	Orange	Orange				Red	Red	Red		
1"	Green	Green	Green	Blue	Blue	Blue	Blue	Blue	Blue	Orange	Orange	Orange	Orange	Orange	Orange				Red	Red	Red		
1.1/2"	Green	Green	Green	Blue	Blue	Blue	Blue	Blue	Blue	Orange	Orange	Orange	Orange	Orange	Orange				Red	Red	Red		
2"	Green	Green	Green	Blue	Blue	Blue	Blue	Blue	Blue	Orange	Orange	Orange	Orange	Orange	Orange			Red					
3"										Light Orange	Light Orange	Light Orange	Light Orange	Light Orange	Light Orange	Light Orange	Light Orange	Light Orange				Light Orange	Light Orange
4"										Light Orange	Light Orange	Light Orange	Light Orange	Light Orange	Light Orange	Light Orange	Light Orange	Light Orange				Light Orange	Light Orange
6"										Light Orange	Light Orange	Light Orange	Light Orange	Light Orange	Light Orange	Light Orange	Light Orange	Light Orange				Light Orange	Light Orange
8"										Light Orange	Light Orange	Light Orange	Light Orange	Light Orange	Light Orange	Light Orange	Light Orange	Light Orange				Light Orange	Light Orange
10"-24"										Light Orange	Light Orange	Light Orange	Light Orange	Light Orange	Light Orange	Light Orange	Light Orange	Light Orange	Light Orange	Light Orange	Light Orange		

Vogt Gate, Globe and Check



	API 602									Bellows			Pressure Seal					
	Forged									Forged - Cast			Forged only					
	SW-NPT			FLANGED & BUTT WELD						FLANGED			FLANGED & BUTT WELD					
	#800	#1500	#2500	#150	#300	#600	#900	#1500	#2500	#150	#300	#600	#150	#300	#600	#900	#1500	#2500
1/2"	Green	Green	Green	Blue	Blue	Blue	Blue	Blue	Blue	Orange	Orange	Orange				Red	Red	Red
3/4"	Green	Green	Green	Blue	Blue	Blue	Blue	Blue	Blue	Orange	Orange	Orange				Red	Red	Red
1"	Green	Green	Green	Blue	Blue	Blue	Blue	Blue	Blue	Orange	Orange	Orange				Red	Red	Red
1.1/2"	Green	Green	Green	Blue	Blue	Blue	Blue	Blue	Blue	Orange	Orange	Orange				Red	Red	Red
2"	Green	Green	Green	Blue	Blue	Blue	Blue	Blue	Blue	Orange	Orange	Orange			Red	Red	Red	Red
3"													Red	Red	Red	Red	Red	Red
4"													Red	Red	Red	Red	Red	Red
6"													Red	Red	Red	Red	Red	Red
8"													Red	Red	Red	Red	Red	Red
10"-24"													Red	Red	Red	Red	Red	White

Vogt Specialty Valves

	API 602					
	Forged					
	SW-NPT			FLANGED & BUTT WELD		
	#800	#1500	#2500	#150	#300	#600
1/2"						
3/4"						
1"						
1.1/2"						
2"						

Alkylation Service Valves (UOP/Phillips/Exxon)

Chlorine Service Valves

Oxygen Service valves



Vogt Specialty Valves

	#2000
2"	
3"	



Union Check Valves

	Forged		
	SW-NPT-bw		
	#800	#1500	#2500
1/2"			
3/4"			
1"			
1.1/2"			
2"			
3"			
4"			



**Y pattern Blown Down
& Blow Out Valves
Manual & Actuated**



Hydraulic & Metering Valves

Strainers



	Forged		
	SW-NPT		
	#800	#1500	#2500
1/2"			
3/4"			
1"			
1.1/2"			
2"			

	Forged		
	SW-NPT		
	#3000	#5000	#6000
1/2"			
3/4"			
1"			
1.1/2"			
2"			

OMB[®] Ball Valves - Floating



	Lip			CM		Compact						EE		
	2 pcs			3 pcs		2 pcs						1 pcs		
	SW-NPT			SW-NPT		FLANGED						FLANGED		
	#800	#1500	#2500	#800	#1500	#150	#300	#600	#900	#1500	#2500	#150	#300	#600
1/2"														
3/4"														
1"														
1.1/2"														
2"														
3"														
4"														
6"														

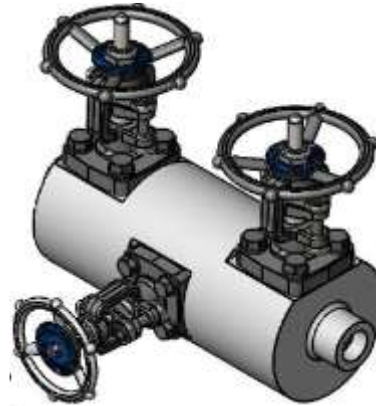


Ball Valves - Floating



	Top Entry							Energized Seat*						
	1 pcs							2 OR 3 PCS						
	FLANGED & BUTT WELD							FLANGED & BUTT WELD						
	#150	#300	#600	#800	#900	#1500	#2500	#150	#300	#600	#800	#900	#1500	#2500
1/2"	Red	Red	Red	Red	Red	Red	Red	Yellow	Yellow	Yellow	Yellow	Yellow	Yellow	Yellow
3/4"	Red	Red	Red	Red	Red	Red	Red	Yellow	Yellow	Yellow	Yellow	Yellow	Yellow	Yellow
1"	Red	Red	Red	Red	Red	Red	Red	Yellow	Yellow	Yellow	Yellow	Yellow	Yellow	Yellow
1.1/2"	Red	Red	Red	Red	Red	Red	White	Yellow	Yellow	Yellow	Yellow	Yellow	Yellow	White
2"	Red	Red	Red	Red	Red	Red	White	Yellow	Yellow	Yellow	Yellow	Yellow	Yellow	White
3"	Red	Red	Red	White	White	White	White	Yellow	Yellow	Yellow	White	White	White	White
4"	Red	Red	Red	White	White	White	White	Yellow	Yellow	Yellow	White	White	White	White
6"	Red	Red	White	White	White	White	White	Yellow	Yellow	White	White	White	White	White

* Metal to Metal Seating



	Modular BV							Modular G/G						
	1 pcs							2 OR 3 PCS						
	FLANGED & BUTT WELD							FLANGED & BUTT WELD						
	#150	#300	#600	#800	#900	#1500	#2500	#150	#300	#600	#800	#900	#1500	#2500
1/2"														
3/4"														
1"														
1.1/2"														
2"														
3"														
4"														
6"														



Ball Valves - Trunnion



	Side Entry						Top Entry						Fully Welded					
	2-3 pcs						1 pcs						2-3 pcs					
	FLANGED						FLANGED & BW						FLANGED & BW					
	#150	#300	#600	#900	#1500	#2500	#150	#300	#600	#900	#1500	#2500	#150	#300	#600	#900	#1500	#2500
1/2"																		
2"																		
3"																		
8"																		
12"																		
24"																		
36"																		
42"																		
48"																		
56"																		
60"																		



API6A valves



	Ball				TC Gate				Swing				Globe				Modular			
	2-3 pieces				1 piece body				Top or inline				1 piece body				various config			
	Flanged & Hub				Flanged & Hub				Flanged & Hub				Flanged & Hub				Flanged & Hub			
	#3000	#5000	#10000	#15000	#3000	#5000	#10000	#15000	#3000	#5000	#10000	#15000	#3000	#5000	#10000	#15000	#3000	#5000	#10000	#15000
1/2"																				
1"																				
1.13/16"																				
2.1/16"																				
2.9/16"																				
3.1/8"																				
4".1/16"																				
5.1/8"																				
7.1/16"																				
9"																				
11"																				
13 5/8"																				



Triple Offset Butterfly



	Double Flanged					D Flanged			Wafer / Lug					Butt Weld					DBB					Top Entry									
	ISO 5752					ANSI B 16.10			API 609					ISO 5752					ANSI B 16.10					ISO 5752									
	Short Pattern					Flanged & Hub								Long Pattern					Double Flanged					Butt Weld									
	#150	à300	à600	à900	à1500	#150	à300	à600	#150	à300	à600	à900	à1500	#150	à300	à600	à900	à1500	#150	à300	à600	à900	à1500	#150	à300	à600	à900	à1500	#150	à300	à600	à900	à1500
3"																																	
4"																																	
6"																																	
8"																																	
10"																																	
12"																																	
14"																																	
16"																																	
18"																																	
20"																																	
24"																																	
26"																																	
28"																																	
30"																																	
32"																																	
36"																																	
40"																																	
42"																																	
48"																																	
up to 96"																																	



Nozzle/Axial Check

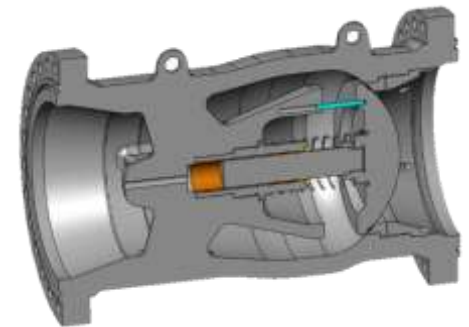
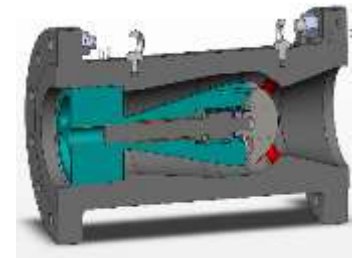


API 6D

	AXC-F						AXC-C				
	Forged						Cast				
	FLANGED & BUTT WELD						FLANGED & BUTT WELD				
	#150	#300	#600	#900	#1500	#2500	#150	#300	#600	#900	#1500
2"	Orange	Orange	Orange	Orange	Orange	Orange					
3"	Orange	Orange	Orange	Orange	Orange	Orange					
4"	Orange	Orange	Orange	Orange	Orange	Orange					
6"	Orange	Orange	Orange	Orange	Orange	Orange					
8"	Orange	Orange	Orange	Orange	Orange	Orange					
10"	Orange	Orange	Orange	Orange	Orange	Orange					
12"	Orange	Orange	Orange	Orange	Orange	Orange					
16"							Red	Red	Red	Red	Red
20"							Red	Red	Red	Red	Red
24"							Red	Red	Red	Red	Red
28"							Red	Red	Red	Red	Red
32"							Red	Red	Red	Red	Red
36"							Red	Red	Red	Red	Red
40"							Red	Red	Red	Red	Red
42"							Red	Red	Red	Red	Red
48"							Red	Red	Red	Red	Red

API 6A

	AXC-I				AXC-A			
	Forged				Forged			
	Flanged & Hub				Flanged & Hub			
	#3000	#5000	#10000	#15000	#3000	#5000	#10000	#15000
1/2"	Green	Green	Green	Green				
3/4"	Green	Green	Green	Green				
1"	Green	Green	Green	Green				
1.1/2"	Green	Green	Green	Green				
1.13/16"					Blue	Blue	Blue	Blue
2.1/16"					Blue	Blue	Blue	Blue
2.9/16"					Blue	Blue	Blue	Blue
3.1/8"					Blue	Blue	Blue	Blue
4".1/16"					Blue	Blue	Blue	Blue
5.1/8"					Blue	Blue	Blue	Blue
7.1/16"					Blue	Blue	Blue	Blue





Thru Conduit Gate

Slab or Expanding



API 6D

	TCS						TCF			
	Cast						Fabricated			
	FLANGED & BW						FLANGED & BW			
	#150	#300	#600	#900	#1500	#2500	#150	#300	#600	#900
2"										
3"										
4"										
6"										
8"										
10"										
12"										
16"										
24"										
36"										
42"										
48"										

API 6A

	TCA			
	Forged			
	Flanged & Hub			
	#3000	#5000	#10000	#15000
1/2"				
1"				
1.13/16"				
2.1/16"				
2.9/16"				
3.1/8"				
4".1/16"				
5.1/8"				
7.1/16"				
9"				
11"				
13 5/8"				





OMB Valves s.p.a.
Group Headquarters
Cenate Sotto, Bergamo Italy

Calobri s.r.l.
Settimo Milanese, Milano, Italy

Fluicon s.r.l.
Cenate Sotto, Bergamo Italy

Vogt Valves inc.
OMB Valves inc.
Stafford, TX, USA

OMB (Valves) Asia pte ltd
Woodlands, Singapore

OMK
Gimpo, Rep of Korea

Industrial Valves Manufacturer
Al Khobar, Kingdon of Saudi Arabia

OMB valves DMCC
Dubai, UAE

OMB Offshore Applications ltd
Dundee, Scotland UK
London, England , UK

Helinor valves
Oslo, Norway

Rep offices in
Beijing, China
Tokyo, Japan
Kuala Lumpur, Malaysia

OMB reserves the right to incorporate our latest design and material changes without notice or obligation.
Design features, materials of construction and dimensional data, as described in this presentation, are provided for your information only and should not be relied upon unless confirmed in writing.

Please contact your local sales representative for product availability in your region.
For more information visit www.ombvalves.com.

The OMB logo is a trademark of OMB valves s.p.a.
ISSUED 07/2017 revision 17-2
COPYRIGHT © 2017 OMB valves s.p.a.